



CASE
CONSTRUCTION

ELECTRIC VEHICLE COMPACT WHEEL LOADERS



12EV

SPECIFICATIONS

12EV

BATTERY

Battery chemistry	lithium-ion
Gross capacity (kWh)	25,8
Net capacity (kWh)	23
Nominal voltage of the system (V)	96
Autonomy according to the operating mode (h)	3 ÷ 6

CHARGING TIMES

On-board charger 230V	
0-100 % (h)	10
20-80 % (h)	6
Off-board charger 400V 32A	
0-100 % (h)	1:40
20-80 % (h)	1

ELECTRIC MOTORS

Driveline motor

Type	3-phase asynchronous induction motor
IP protection class	67
Rated engine power (kW)	17
Peak engine power (kW)	33
Rated speed (rpm)	2940
Peak engine power (rpm)	6000
Rated torque (Nm)	55
Peak torque (Nm)	242 @ 530A
Travel speed (standard tires)	
1 st Turtle (km/h)	8
1 st Rabbit (km/h)	20

Drive Modes

	ENERGY SAVING	STANDARD	POWER
Max rpm	2100	2500	2900
Max speed (km/h)	12	15	20

HYDRAULIC PUMP MOTOR

Type	3-phase asynchronous induction motor
IP protection class	67
Rated engine power (kW)	22
Rated speed (rpm)	3250
Peak engine power (rpm)	4250
Rated torque (Nm)	59.7
Peak torque (Nm)	138 @ 530A
Maximum auxiliary standard flow (lpm)	40
Maximum relief pressure (bar)	230

AXLES

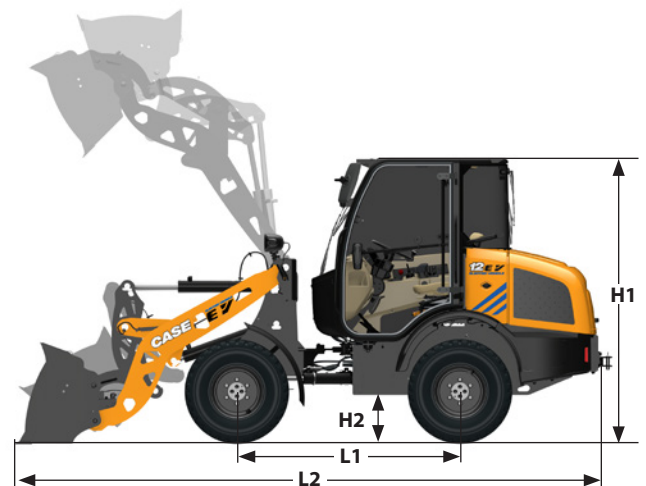
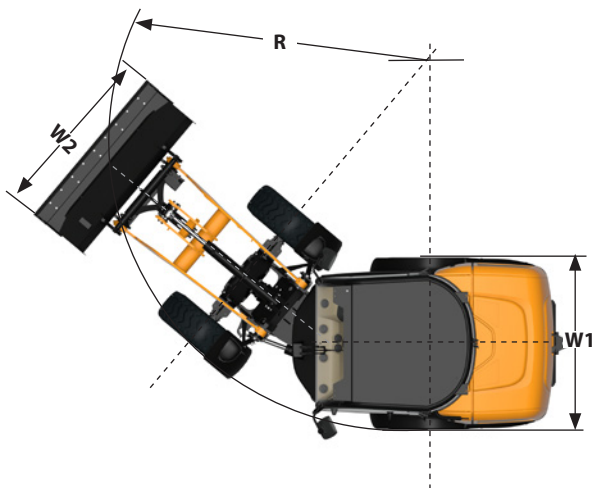
Type	Limited slip differential
Service brake	Brake drum hydraulically actuated
Parking brake	Brake drum mechanically actuated
Rear axle oscillation	9°

FLUIDS CAPACITY

Hydraulic oil (l)	53
Front axle (l)	9
Rear axle (l)	11

NOISE AND VIBRATIONS

Sound power level (according to 2000/14/EC)	LWA = 87 dB
Sound pressure level at operator's station (ISO 6936:2008)	LpA = 69 dB
Hand-/arm-/body-vibration (according to ISO 8041)	<2.5/0.5 m/s ²

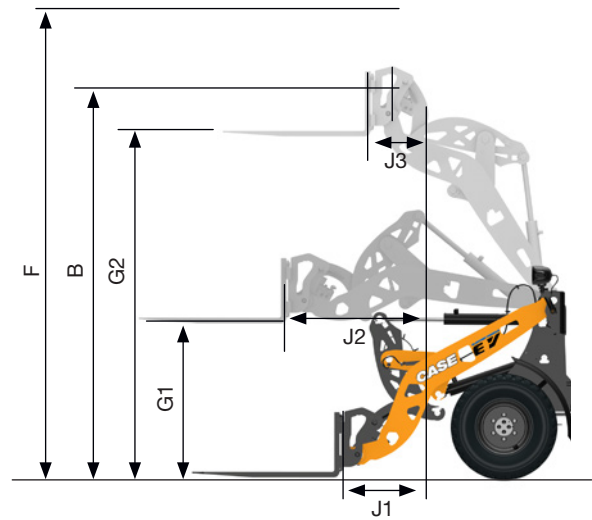
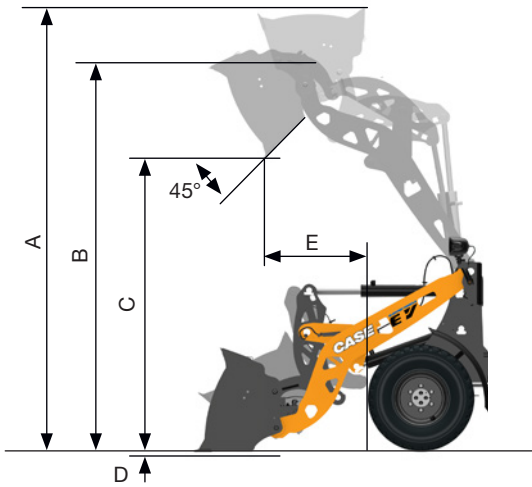


GENERAL DIMENSIONS

H1	Height to the top of the ROPS	mm	2453
H2	Ground clearance	mm	395
W1	Overall width (exclusive of bucket)	mm	1570
W2	Overall width (with bucket)	mm	1650
L1	Wheelbase	mm	1925
L2	Max. length in carry position	mm	5164
R	Turning radius (outside of tires)	mm	3429

SPECIFICATIONS

12EV



SPECIFICATIONS WITH BUCKET

Bucket Volume (SAE)	m ³	0.5
Tipping load straight	kg	2300
Tipping load at full turn (40°)	kg	1941
Payload @50%	kg	971
Breakout Force	kg	2913
A Max bucket height	mm	3902
B Hinge pin height	mm	3088
C Dump height @45°	mm	2458
D Dig Depth	mm	52
E Reach at full height	mm	879
Operating weight (std. bucket)	kg	3880

SPECIFICATIONS WITH FORKS

Tipping load straight	m ³	1699
Tipping load at full turn (40°)	kg	1431
Payload @80%*	kg	1145
B Hinge pin height	kg	3088
F Max overall height	kg	3491
G2 Max fork height	mm	2875
G1 Forks height @ max reach	mm	1296
J1 Reach @ ground level	mm	984
J2 Max Reach	mm	1431
J3 Reach @ max height	mm	720
Operating weight with forks	kg	3910

*on even ground, according to ISO 8313 and EN 474-3

STANDARD AND OPTIONS

STANDARD EQUIPMENT

- + ROPS/FOPS Level II base enclosed cab
- + Tilt adjustment of the steering column
- + Partially openable right window
- + Air suspended seat
- + Heater
- + Color display with encoder
- + Keypad for easy machine setting
- + Electro-hydraulic joystick
- + Two travel speed
- + Limited slip differential front & rear
- + Drive modes
- + 10.5/80-18 tires
- + Standard weather package
- + LED work lights
- + Horizontal pin quick coupler
- + Standard flow (40 lpm)
- + 3rd Function
- + Floating function
- + Loader arm response control
- + Bucket response control
- + Standard bucket
- + Emergency tow hook
- + On-board battery charge
- + Battery disconnect switch
- + P&CM modem
- + Case Sitewatch and Site-Connect
- + Operator manual

OPTIONAL EQUIPMENT

- + ROPS/FOPS Level II deluxe cab
- + Full adjustment of the steering column
- + 180° openable right window
- + Radio with MP3 and USB plug
- + Rotating beacon
- + Cruise control
- + Return to Travel, Dig, Height
- + 12.0/75-18 tires
- + Off-board 400V 32A fast charger
- + Road homologation
- + Skid steer loader type quick coupler
- + Eurocoupler
- + Predisposition for fire extinguisher
- + Forks with transport protection
- + Reverse alarm



BUILDING ON OUR HERITAGE.

Since 1842, at CASE Construction Equipment we have lived by an unwavering commitment to build practical, intuitive solutions that deliver both efficiency and productivity.

The vast CASE dealers' network is always ready to support and protect your investment.

At the end of the day, we do what's right for our customers and our communities so that they can count on CASE.

CNH Industrial
Deutschland GmbH
Case Baumaschinen
Benzstr. 1-3 - D-74076 - Heilbronn
DEUTSCHLAND

CNH Industrial
Maquinaria Spain, S.A.
Avenida Aragón 402
28022 Madrid
ESPAÑA

CNH Industrial France, S.A.
16-18 Rue des Rochettes
91150 Morigny-Champigny
FRANCE

CNH Industrial Italia Spa
Lungo Stura Lazio 19
10156, Torino
ITALIA

CASE Construction Equipment
Cranes Farm Rd
Basildon - SS14 3AD
UNITED KINGDOM

NOTE: Standard and optional fittings can vary according to the demands and specific regulations of each country. The illustrations may include optional rather than standard fittings - consult your Case dealer. Furthermore, CNH Industrial reserves the right to modify machine specifications without incurring any obligation relating to such changes.

Conforms to directive 2006/42/EC

CASECE.COM
00800-2273-7373

The call is free from a land line.
Check in advance with your Mobile Operator if you
will be charged. Toll free number not available from
all calling areas.

